

# TC-180: ENCLOSED TRANSPORT CART



### DIMENSIONS/CAPACITY:

Height: 47.00"    Width: 60.38"    DEPTH: 30.75"

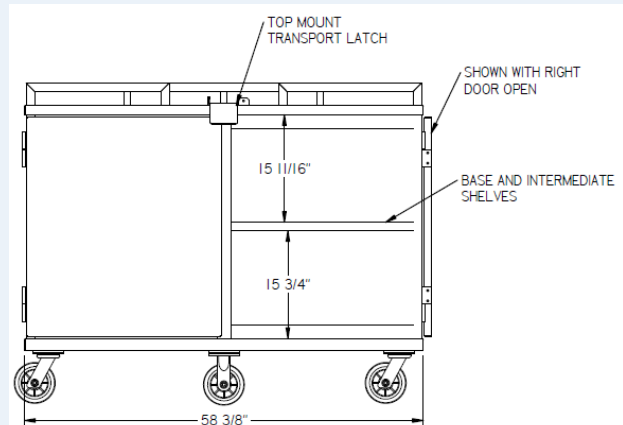
### CAPACITY:

Styrofoam Trays	
9" x 9-3/8" clamshells	180

### COMPONENTS:

#### Shelves

- Mid-shelf welded in place spaced to hold stack of 5 clamshell containers on floor and stack of 5 on shelf. 10 stacks fit across footprint for total of 180



#### Handles

- Top rail to secure items transported on top doubles as push/pull handles

#### Casters

- Four 6" Extra Duty casters
- Polyurethane (2 swivel with brake, 2 rigid)
- Can turn on its own radius for good maneuverability

#### Bumpers

- Bottom corner bumpers standard
- Optional top corner bumpers

### CONSTRUCTION/MATERIAL:

- Sturdy construction specifically designed for the demanding corrections environment
- Solid .125" thick sheet enclosure, tube reinforced for added strength and durability
- NSF certified
- Can safely see of the top while pushing
- Top drop down transport latch can be padlocked

### WARRANTY:

- 5-year warranty against manufacturing defect
- Lifetime guarantee against corrosion