

# PPST-9400: 4-COMPARTMENT TRAY



**MATERIAL:** Copolymer

- Economical
- Break, chip, and crack resistant
- Can withstand temperatures from 0 to 210 degrees Fahrenheit
- Reusable
- Recyclable
- Dishwasher safe
- Microwave safe

**DESIGN:** 4-compartment large SHU tray

- Stackable with and without lids
- Textured bottom to resist scratches and gouges
- Beaded rim for longer durability and safety
- 2-rib design for strength and structural integrity
- 15 degree slopes for more generous food presentation and faster wash/dry

**COLORS:**

BUFF



CHOCOLATE



TEAL



**DIMENSIONS:**

Length: 10.63" Width: 8.63" Height: 2.06"

Height with lid: 2.38"

Double park trays in standard door slot (no need to wait for inmate to remove first one)

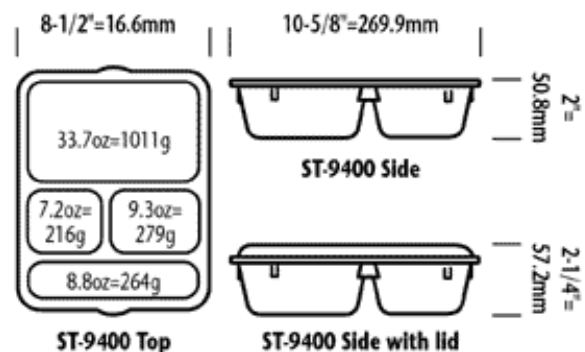
Compartment sizes:

Lg: 33.7oz Md: 9.3oz Sm: 7.2oz Flatware: 8.8oz

**CASE PACK:** 24 trays per case

**COMPATIBLE LID:** PPJZL-9

(See lid spec sheet)



June 2015



www.joneszylon.com

P.O. Box 149 | West Lafayette, Ohio 43845

800-848-8160 toll free | 740-545-6341 office | 740-545-6671 fax