

PPST-9300: 3-COMPARTMENT TRAY



MATERIAL: Copolymer

- Economical
- Break, chip, and crack resistant
- Can withstand temperatures from -32 to 212 degrees Fahrenheit
- Reusable
- Recyclable
- Dishwasher safe
- Microwave safe

DESIGN: 3-compartment large SHU tray

- Stackable with and without lids
- Textured bottom to resist scratches and gouges
- Beaded rim for longer durability and safety
- 2-rib design for strength and structural integrity
- 15 degree slopes for more generous food presentation and faster wash/dry

COLORS:

BUFF	CHOCOLATE	TEAL
		

DIMENSIONS:

Length: 10.63" Width: 8.63" Height: 2.06"

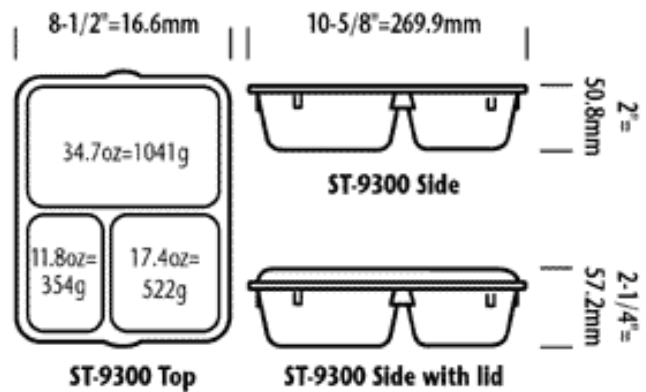
Height with lid: 2.38"

Double park trays in standard door slot (no need to wait for inmate to remove first one)

Compartment sizes:
Lg: 34.7oz Md: 17.4oz Sm: 11.8oz

CASE PACK: 24 trays per case

COMPATIBLE LID: PPJZL-9
(See lid spec sheet)



June 2015



www.joneszylon.com