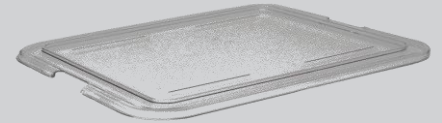


PPJZL-9: LID FOR LARGE SHU TRAYS



MATERIAL: Copolymer

- Economical
- Break, chip, and crack resistant
- Can withstand temperatures from 0 to 212 degrees Fahrenheit
- Reusable
- Recyclable
- Dishwasher safe
- Microwave safe

DESIGN: lid for large SHU trays

- Compatible with PPST-9300 and PPST-9400 trays
- Stackable
- Bi-directional fit
- Beaded rim for added durability
- Raised rim for easy grip
- Specially designed overhang on lid for less breakage
- Concave center for strength, secure stacking, and conformed sealing

COLORS:

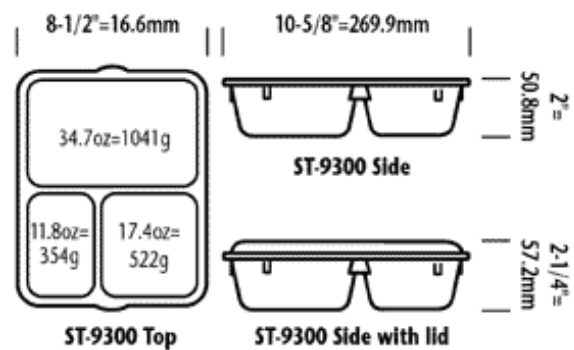
CLARIFIED

DIMENSIONS:

Length: 10.88" Width: 8.94" Height: 0.5"

Height with tray: 2.38"

CASE PACK: 24 lids per case



June 2015



www.joneszylon.com