

JZHR-20-HC-RH: HEATED/REFRIGERATED CART

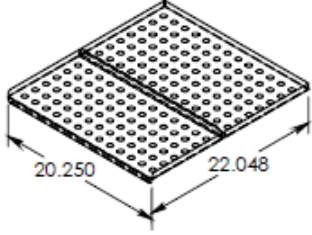


DIMENSIONS/CAPACITY:

Height: 75" Width: 51.5" Depth: 29"

CAPACITY:

Hot Side		Cold Side	
9" covered plate	20	12x20 trays	20
2 per shelf, 10 shelves		Two trays per shelf 10 shelves	



CONSTRUCTION/MATERIAL:

- All exterior surfaces 18-gauge stainless steel
- Base frame 16-gauge stainless steel with reinforced cross channels
- Top latch, top corners, hinge screws, and casters given extra reinforcement for added durability
- Fully insulated in top, bottom and sides

HEATING/REFRIGERATION/ELECTRICAL:

- Top-mounted refrigeration system
- Side-mount 1000w removable heating assembly left side
- 1800 Watts, 15 Amps 120 Volts
- NEMA Plug: 5-20P
- 12-gauge stainless steel cord wrap welded to cabinet

WARRANTY:

- 2-year parts and 1-year labor warranty

COMPONENTS:

Doors

- Cabinet-mounted double panel doors open 270°
- Three heavy-duty 12-gauge stainless steel hinges
- 12-gauge lockable stainless steel transport latch

Hot side shelves

- Removable perforated shelves slide out without tipping when pulled out partially
- 4" spacing
- Cross bracket to separate 2 entrees / soups, etc.

Cold side tray channels

- Removable perforated shelves slide out without tipping when pulled out partially
- 4" spacing

Handles

- Hot-side recessed tubular handle

Casters

- Six 8" casters
- EZ Roll (4 swivel with brake, 2 rigid)

Bumpers

- Full perimeter non-marking bottom bumper



Get HIGH SATISFACTION SCORES for perfect temperature meals

Hot Food at 155°F

Radiant heat 1000w heating unit holds entrée / soup / hot beverage at 155°F without drying them out

20 Hot Meals

10 perforated shelves sectioned off for two 9" covered entrees and soup or hot beverage

Easy to Maneuver

8" swivel casters on each end with 8" rigid casters in the middle so you can turn on its own length



Features snap-in removable heater for easy maintenance and maximum up-time



Cold Food at 36°F

Refrigerated compartment keeps salads and desserts crisp and frosty

20 Cold Trays

Two 12x20 trays fit widthwise into each set of tray channel slots. The slots hold tray edges to keep tray from tipping when pulled out partially.

Optionally available are perforated shelving (shown)



Error Proofing

Two hot and two cold on the same level to pair up meals without error.

Tray shelf slides out without tipping for tray assembly



www.joneszylon.com