

JZCC-4400: HIGH TEMP COOK/CHILLTRAY



MATERIAL: Polyphenylsulfone
<ul style="list-style-type: none"> ☑ Can withstand temperatures up to 400o F ☑ Extreme impact resistance ☑ Reusable ☑ Recyclable ☑ Dishwasher safe ☑ Microwave safe ☑ Cook/chill rethermalization safe

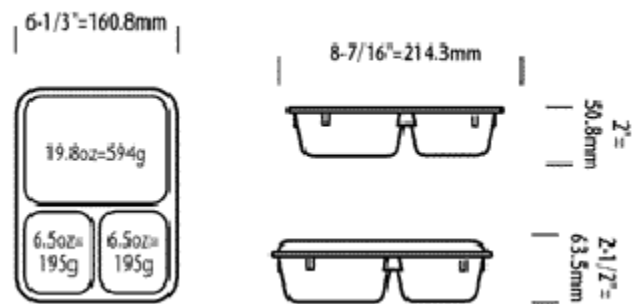
DESIGN: 3 compartment – small SHU trays
<ul style="list-style-type: none"> ☑ Stackable with or without lids ☑ 2-rib design for added strength and structural integrity ☑ 12 degree slopes for more generous food presentation and more complete wash/dry cycle ☑ Textured serving compartment bottoms for added product life ☑ Compatible with JonesZylon heated and refrigerated carts

COLORS:
<p>BLACK</p> 

DIMENSIONS:
Length: 8.44" Width: 6.33" Height: 1.88"
Height with lid: 2.31"
Double park trays in standard door slot (no need to wait for inmate to remove first one)
Compartment sizes: Lg: 19.8 Sm: 6.5oz Sm: 6.5oz

CASE PACK: 24 trays per case

COMPATIBLE LID: JZL-4400
Same color and same properties



Jan 2017



www.joneszylon.com

P.O. Box 149 | West Lafayette, Ohio 43845

800-848-8160 toll free | 740-545-6341 office | 740-545-6671 fax