



FXSTB-9400: 4-COMPARTMENT TRAY



MATERIAL: *MaxFlex*

- Proprietary polymer formulation
- Maximum safety – cannot be fashioned into a weapon
- Optimized durability – break, chip, and crack resistance
- Withstands temperatures from -40 to 225 degrees Fahrenheit
- Significantly cheaper and more earth-friendly than silicon
- Dishwasher/microwave safe
- Reusable and recyclable

COLORS:

CHOCOLATE	TEAL
	

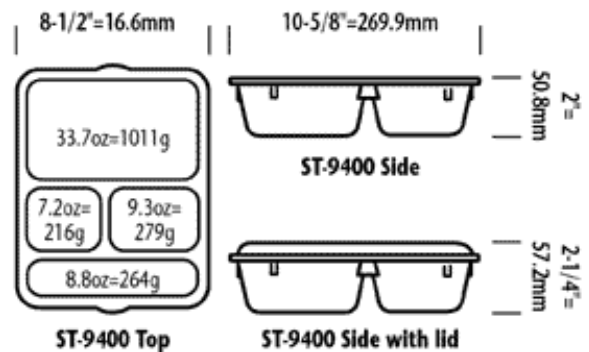
CASE PACK: 24 trays per case

COMPATIBLE LID: *FXLB-9*
(See lid spec sheet)

DESIGN: 4 compartment – large SHU tray

- Stackable with and without lids
- Textured bottom to resist scratches and gouges
- Beaded rim for longer durability and safety
- 2-rib design for strength and structural integrity
- 15 degree slopes for more generous food presentation and faster wash/dry cycle
- Compatible with JonesZylon heated and refrigerated carts

DIMENSIONS:
Length: 10.63" Width: 8.63" Height: 2.06"
Height with lid: 2.38"
Double park trays in standard door slot (no need to wait for inmate to remove first one)
Compartment sizes:
Lg: 33.7oz Md: 9.3oz Sm: 7.2oz Flatware: 8.8"



June 2015



www.joneszylon.com