

# FXSTB-9300: 3-COMPARTMENT TRAY



**MATERIAL:** *MaxFlex*

- Proprietary polymer formulation
- Maximum safety – cannot be fashioned into a weapon
- Optimized durability – break, chip, and crack resistance
- Withstands temperatures from -40 to 225 degrees Fahrenheit
- Significantly cheaper and more earth-friendly than silicon
- Dishwasher/microwave safe
- Reusable and recyclable

**DESIGN:** *3 compartment – large SHU tray*

- Stackable with and without lids
- Textured bottom to resist scratches and gouges
- Beaded rim for longer durability and safety
- 2-rib design for strength and structural integrity
- 15 degree slopes for more generous food presentation and faster wash/dry cycle
- Compatible with JonesZylon heated and refrigerated carts

**COLORS:**

CHOCOLATE

TEAL



**DIMENSIONS:**

Length: 10.63" Width: 8.63" Height: 2.06"

Height with lid: 2.38"

Double park trays in standard door slot (no need to wait for inmate to remove first one)

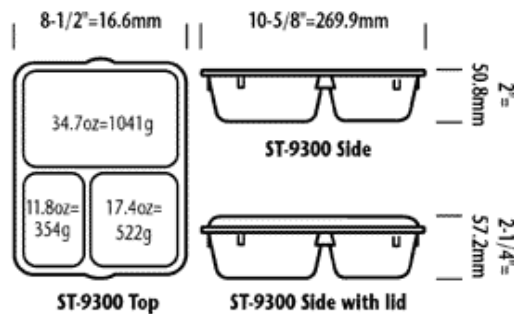
Compartment sizes:

Lg: 34.7oz Md: 17.4oz Sm: 11.8oz

**CASE PACK:** *24 trays per case*

**COMPATIBLE LID:** *FXLB-9*

(See lid spec sheet)



June 2015



www.joneszylon.com

P.O. Box 149 | West Lafayette, Ohio 43845

800-848-8160 toll free | 740-545-6341 office | 740-545-6671 fax